

Pallet jack scale

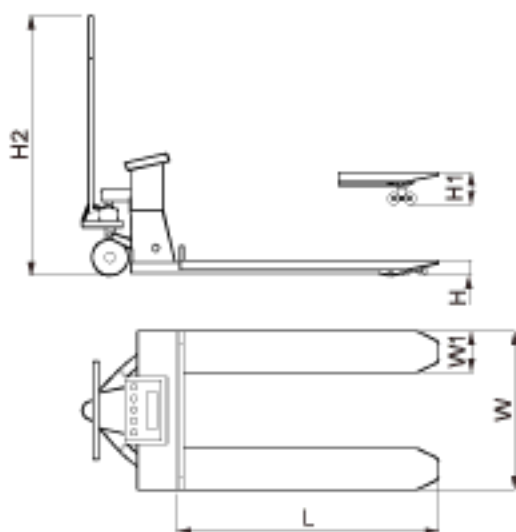
- All universal hand pallet truck functions
- Specialized nylon or polyurethane wheels
- Six 1-inch digits LED display
- Basic counting function
- Alloy steel or stainless steel platform



APG Series

Pallet Jack Scale

APG SERIES



DIMENSIONS

Model	H	H1	H2	L	W	W1
lb/mm						
APG50H-5Klb; APG50S-5Klb	78	195	1120	1150	550	160
APG68H-5Klb	78	195	1120	1150	685	160

Features:

- ◆ All universal hand pallet truck functions
- ◆ Specialized nylon or polyurethane wheels
- ◆ Six 1 inch digits LED display
- ◆ Basic counting function
- ◆ Micro-printer function
- ◆ kg/lb conversion function
- ◆ Rechargeable battery, low voltage auto-off and charging auto control function

Model #	APG50H-5Klb	APG68H-5Klb	APG50S-5Klb
Capacity	5Klb	5Klb	5Klb
Division	0.5lb	0.5lb	0.5lb
Material	Alloy Steel		Stainless Steel
Lifting Height	78mm - 195mm		
Net Weight	-	203lb / 92.2kg	-
Gross Weight	-	250lb / 113.4kg	-
Power Source	Rechargeable battery or Charger DC 7.2V 1A		

* Dimensions and specifications are subject to change without notice